

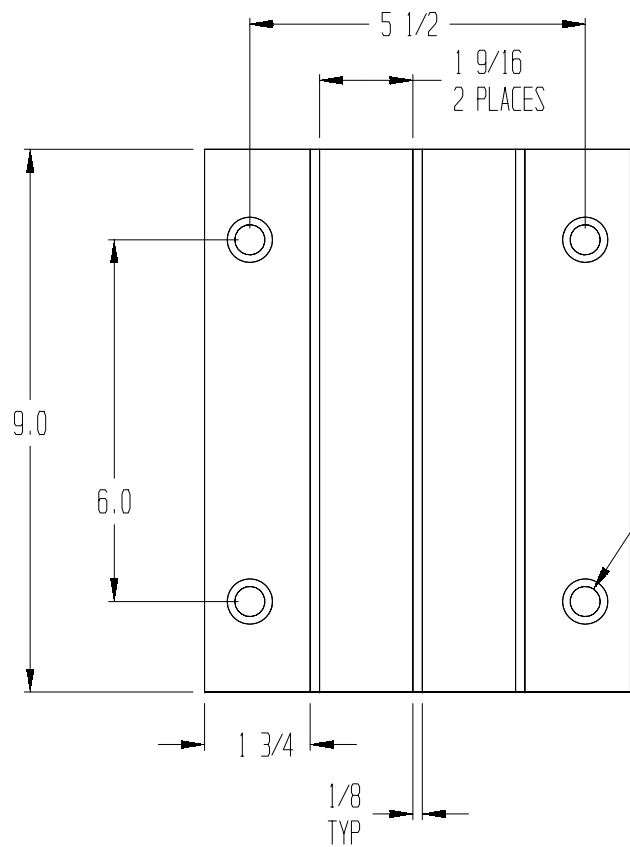
4

3

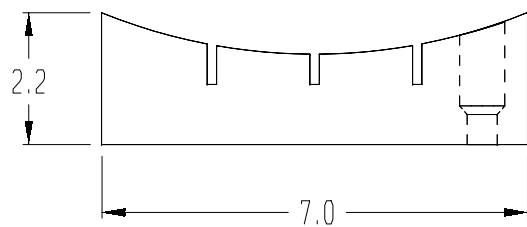
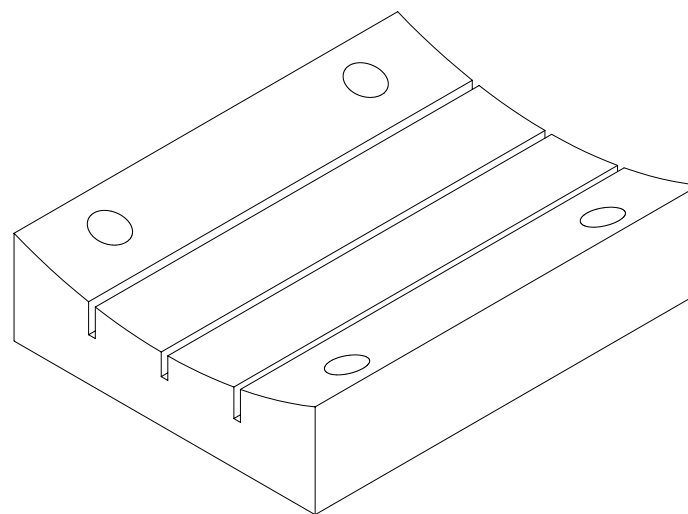
2

1

REVISIONS			
REV	DESCRIPTION	DATE	APPROVED



7/16 DRILL (.4375) THRU
82 DEG C-SINK TO .750 DIA
(4) REQ'D AS SHOWN



© SelectPart Incorporated, 2003. All Rights Reserved.
Any use of this drawing or the information contained herein
for a purpose other than as expressly authorized by
SelectPart Inc. is expressly prohibited.

Selectpart
50 Hutcherson Drive / Gorham, Maine 04038 USA / 207.854.3874

PART DESCRIPTION: SELECTPART FRICTION PAD "O"					
DRAWN BY: MWL	SIZE: C	PRT NO: O-PAD	DWG NO: O-PAD	REV: -	
CHECKED BY:	SCALE: NONE	MATERIAL: VARIOUS	SHEET: 1 OF 1		
DATE: 6 FEB 03					

4

3

2

1