

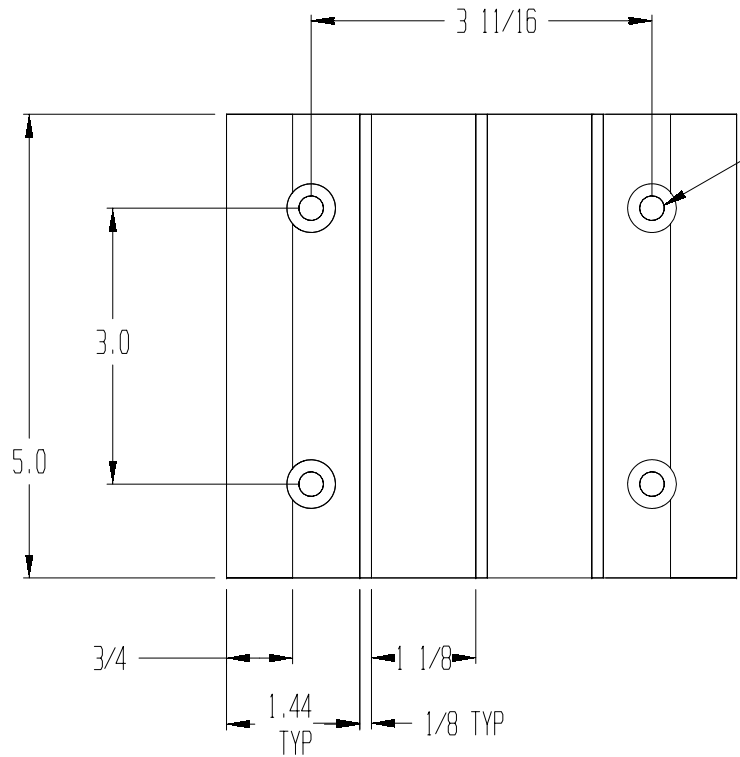
4

3

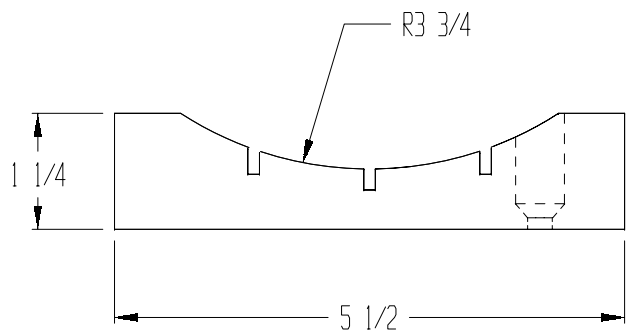
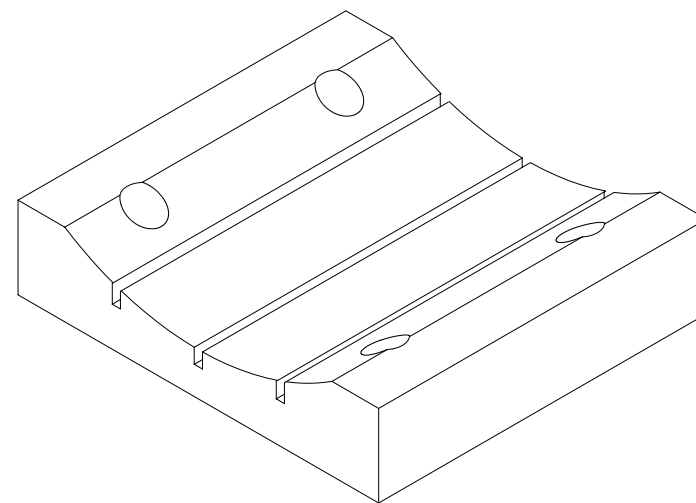
2

1

REVISIONS			
REV	DESCRIPTION	DATE	APPROVED



"K" DRILL (.281) THRU
 82 DEG C-SINK TO 17/32 DIA
 (4) REQ'D



© SelectPart Incorporated, 2003. All Rights Reserved.
 Any use of this drawing or the information contained herein
 for a purpose other than as expressly authorized by
 SelectPart Inc. is expressly prohibited.

PART DESCRIPTION: SELECTPART FRICTION PAD "E" (MR BLOCK)					
DRAWN BY: MNL	SIZE: C	PRT NO: B-PAD	DWG NO: B-PAD	REV: -	
DATE: 6 FEB 03	SCALE: NONE	MATERIAL: VARIOUS	SHEET: 1 OF 1		

4

3

2

1