

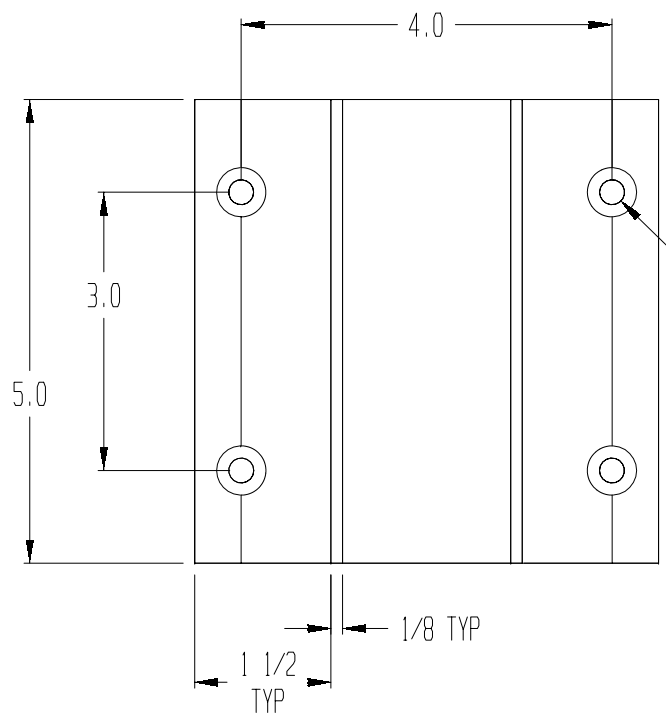
4

3

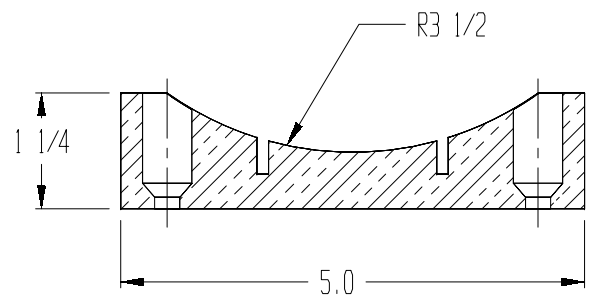
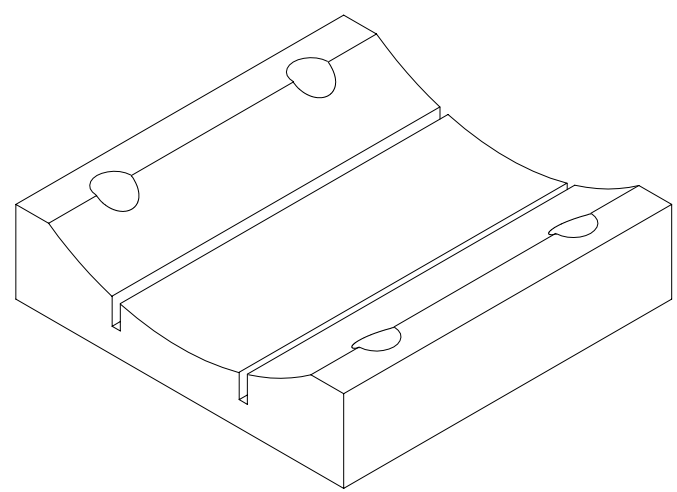
2

1

REVISIONS			
REV	DESCRIPTION	DATE	APPROVED



"K" DRILL (.281) THRU  
 82 DEGREE C-SINK TO 17/32 DIA  
 (4) REQ'D



© SelectPart Incorporated, 2003. All Rights Reserved.  
 Any use of this drawing or the information contained herein  
 for a purpose other than as expressly authorized by  
 SelectPart Inc. is expressly prohibited.



PART DESCRIPTION: SELECTPART FRICTION PAD "A" (MR BLOCK EW7)					
DRAWN BY: MNL	SIZE: C	PRT NO: A-PAD	DWG NO: A-PAD	REV: -	
DATE: 5 FEB 03	SCALE: NONE	MATERIAL: VARIOUS	SHEET: 1 OF 1		

4

3

2

1