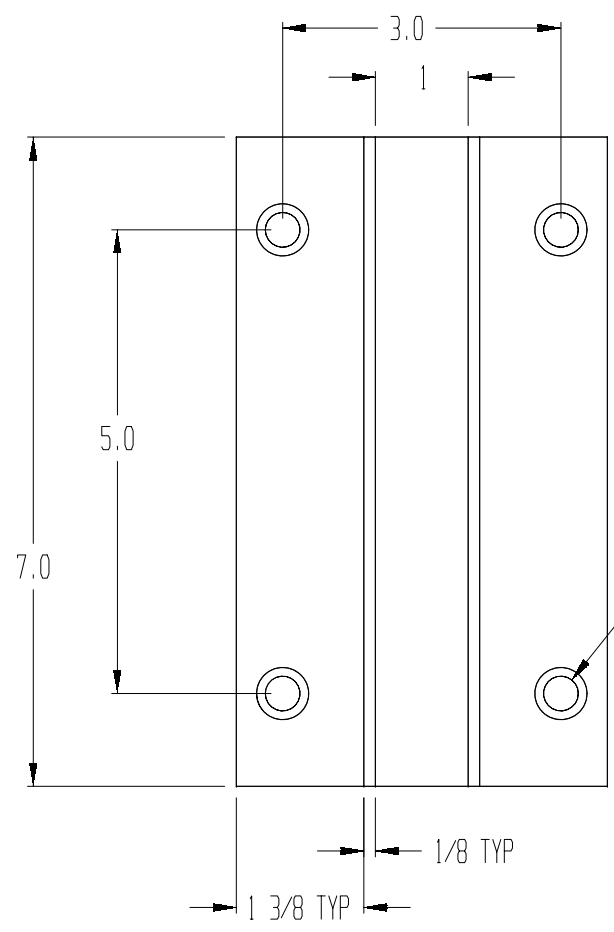
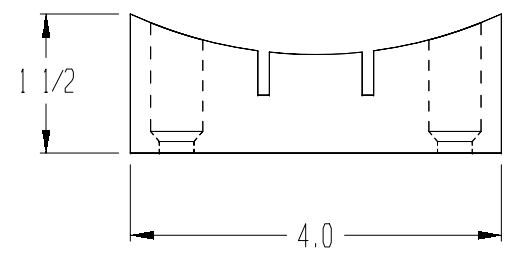
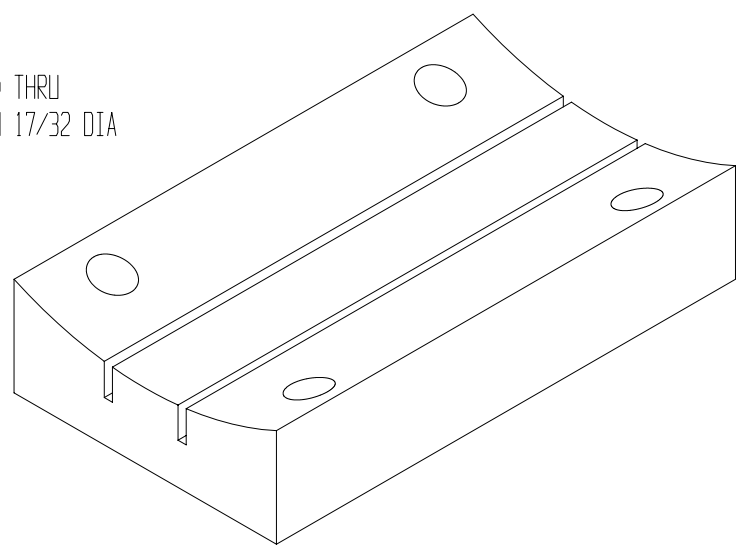


REVISIONS			
REV	DESCRIPTION	DATE	APPROVED



"K" DRILL (.281) THRU
82 DEG C-SINK TO 17/32 DIA
(4) REQ'D



© SelectPart Incorporated, 2003. All Rights Reserved.
Any use of this drawing or the information contained herein for a purpose other than as expressly authorized by SelectPart Inc. is expressly prohibited.



PART DESCRIPTION: SELECTPART FRICTION PAD "P" (FRICTION BLOCK F2)					
DRAWN BY: MWL	SIZE: C	PRT NO: P-PAD	DWG NO: P-PAD	REV: -	
CHECKED BY:	SCALE: NONE	MATERIAL: VARIOUS	SHEET: 1 OF 1		
DATE: 6 FEB 03					