

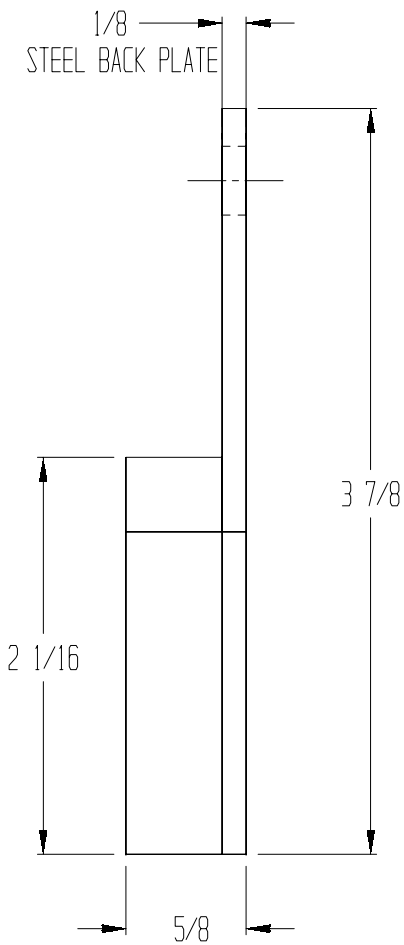
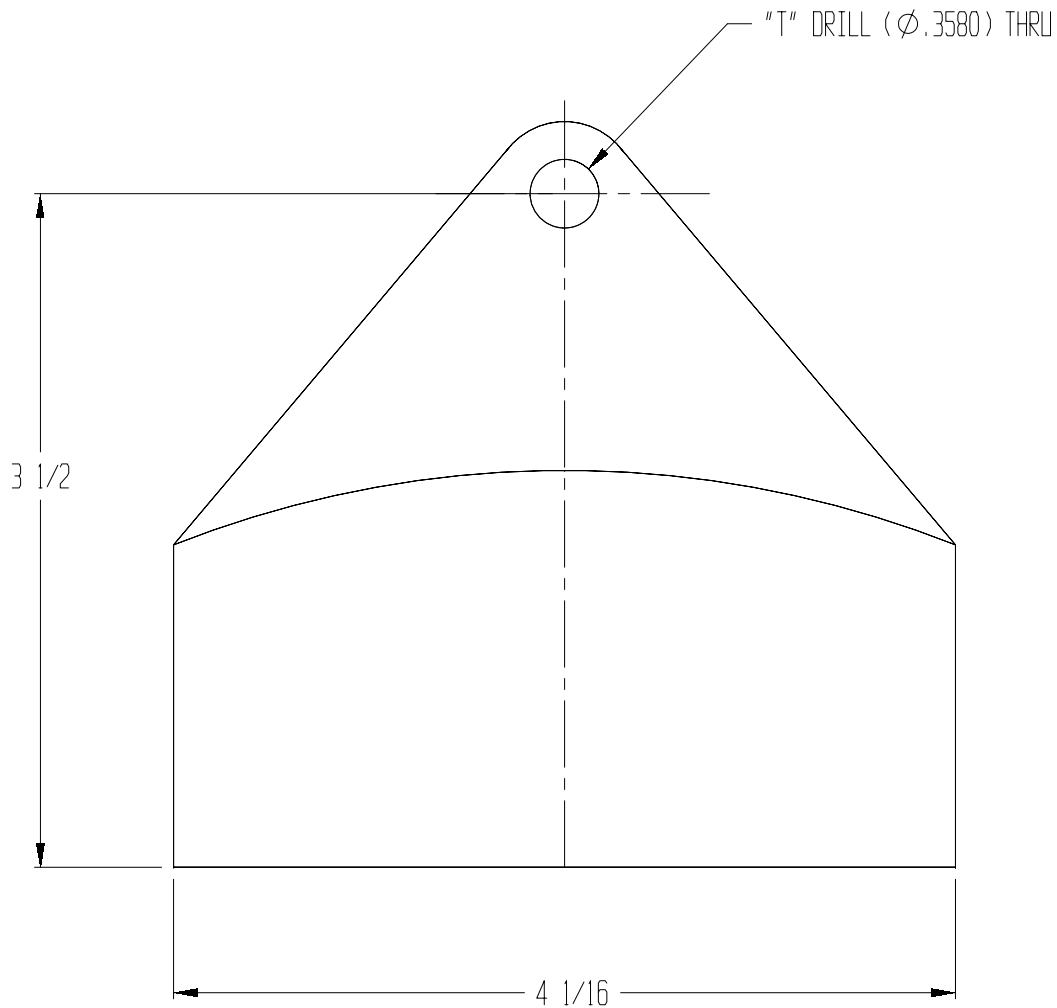
4

3

2

1

REVISIONS			
REV	DESCRIPTION	DATE	APPROVED



NOTES:
MATERIAL SAME AS SELECTPART # H302

Selectpart
50 Hutcherson Drive / Gorham, Maine 04038 USA/207.854.3874

© SelectPart, Incorporated, 2003. All Rights Reserved.
Any use of this drawing or the information contained herein
for a purpose other than as expressly authorized by
SelectPart Inc. is expressly prohibited.

PART DESCRIPTION: SELECTPART FRICTION PAD "TIDLAND 1"					
DRAWN BY: GEL	SIZE: C	PRT NO: TIDLAND	DWG NO: TIDLAND 1	REV: -	
CHECKED BY:					
DATE: 09 MAY 2003	SCALE: NONE	MATERIAL: SEE NOTES	SHEET: 1 OF 1		

4

3

2

1