

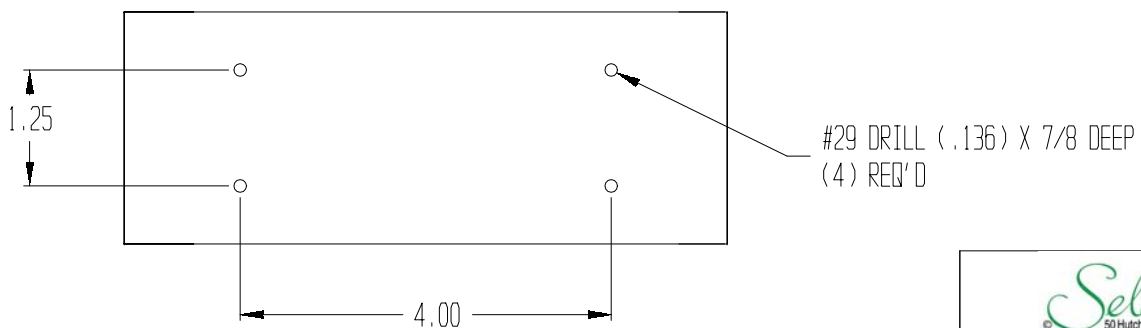
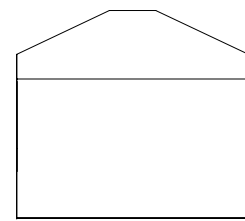
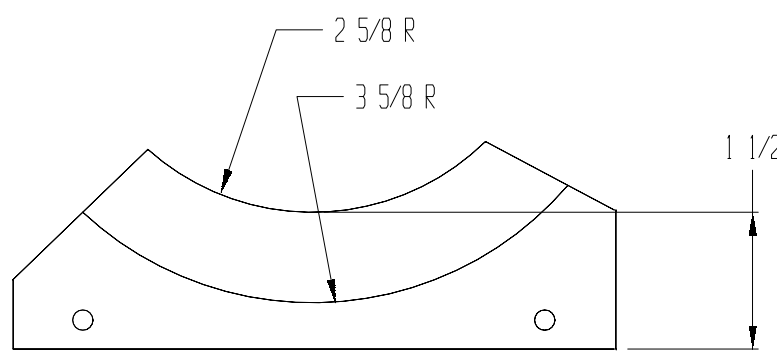
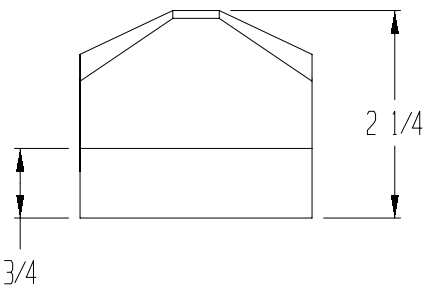
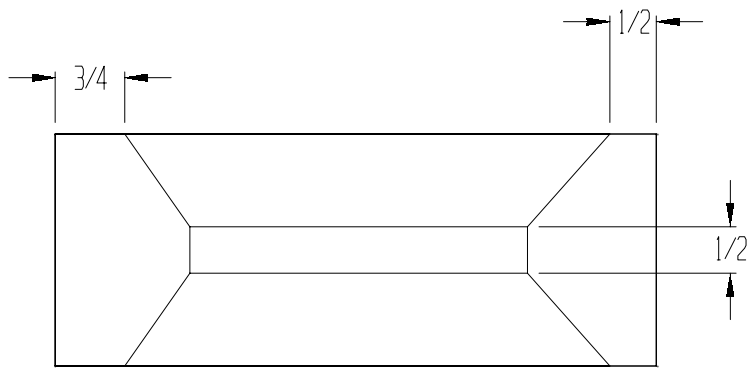
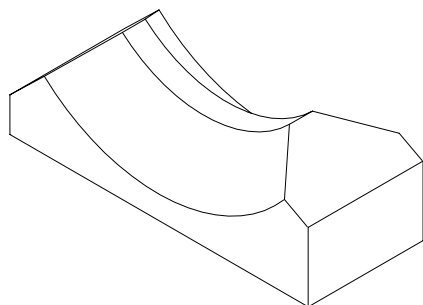
4

3

2

1

REVISIONS			
REV	DESCRIPTION	DATE	APPROVED



© SelectPart Incorporated, 2003. All Rights Reserved.
 Any use of this drawing or the information contained herein
 for a purpose other than as expressly authorized by
 SelectPart Inc. is expressly prohibited.



PART DESCRIPTION: SELECTPART FRICTION PAD SET					
DRAWN BY: GEL	SIZE: C	PRT NO: SE-1	DWG NO: SE-1	REV: -	
CHECKED BY:					
DATE: 21 MAY 2003	SCALE: NONE	MATERIAL: VARIOUS	SHEET: 1 OF 1		

4

3

2

1