

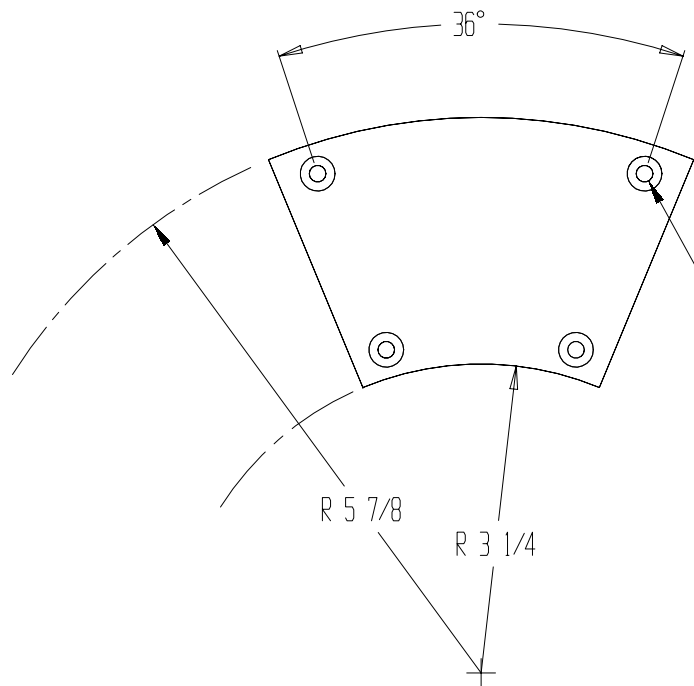
4

3

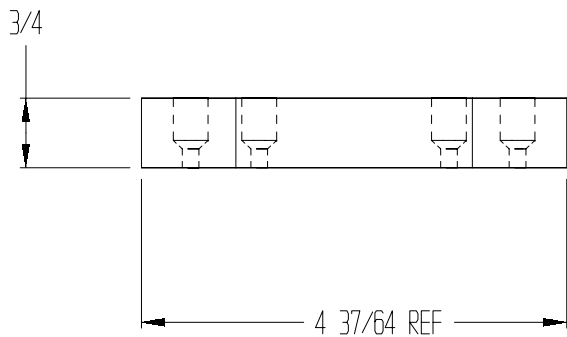
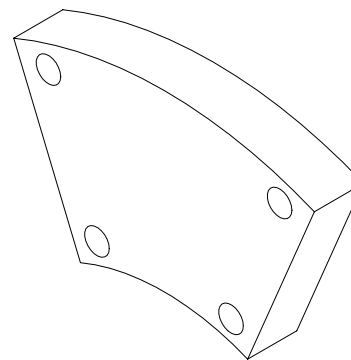
2

1

REVISIONS			
REV	DESCRIPTION	DATE	APPROVED



#5 DRILL (.2055) THRU  
 82 DEG C-SINK TO 3/8 DIA  
 (4) REQ'D AS SHOWN



© SelectPart Incorporated, 2003. All Rights Reserved.  
 Any use of this drawing or the information contained herein  
 for a purpose other than as expressly authorized by  
 SelectPart Inc. is expressly prohibited.

*Selectpart*  
 90 Hutcherson Drive Gorham, Maine 04038 USA/207.854.3874

PART DESCRIPTION: MILL ROLL BRAKE SELECTPART FRICTION PAD "D"					
DRAWN BY: MWL	SIZE: C	PRT NO: D-PAD	DWG NO: D-PAD	REV: -	
CHECKED BY:					
DATE: 6 FEB 03	SCALE: NONE	MATERIAL: VARIOUS	SHEET 1 OF 1		

4

3

2

1