

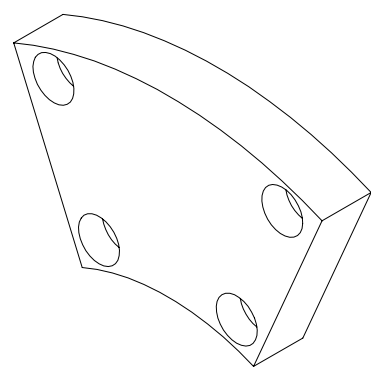
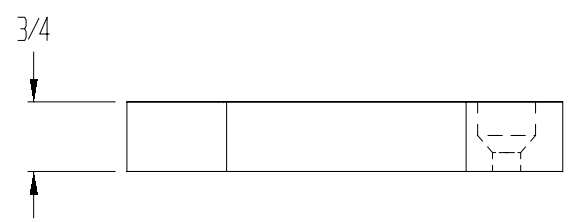
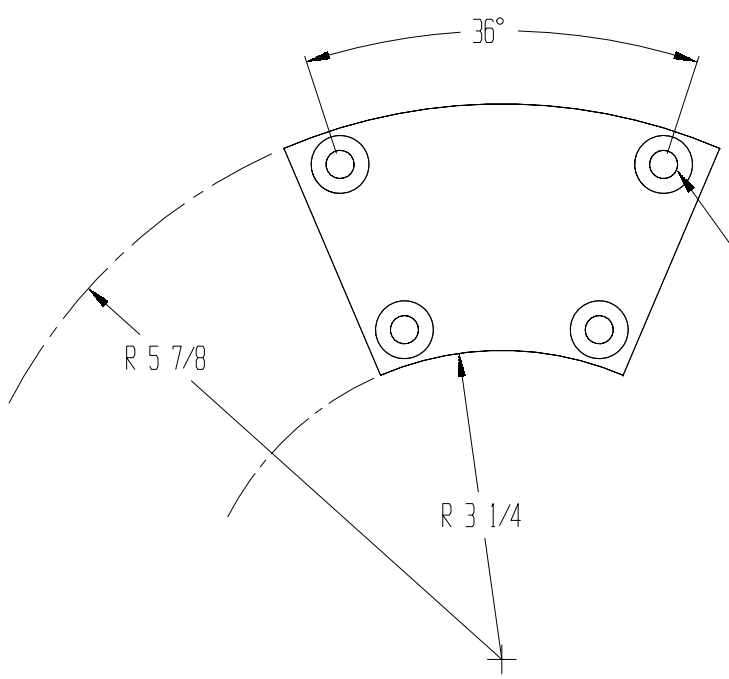
4

3

2

1

REVISIONS			
REV	DESCRIPTION	DATE	APPROVED



© SelectPart Incorporated, 2003. All Rights Reserved.  
Any use of this drawing or the information contained herein  
for a purpose other than as expressly authorized by  
SelectPart Inc. is expressly prohibited.



PART DESCRIPTION: LW BRAKE SELECTPART FRICTION PAD "C"					
DRAWN BY: MML	SIZE: C	PRT NO: C-PAD	DWG NO: C-PAD	REV: -	
DATE: 5 FEB 03	SCALE: NONE	MATERIAL: VARIOUS	SHEET: 1 OF 1		

4

3

2

1