

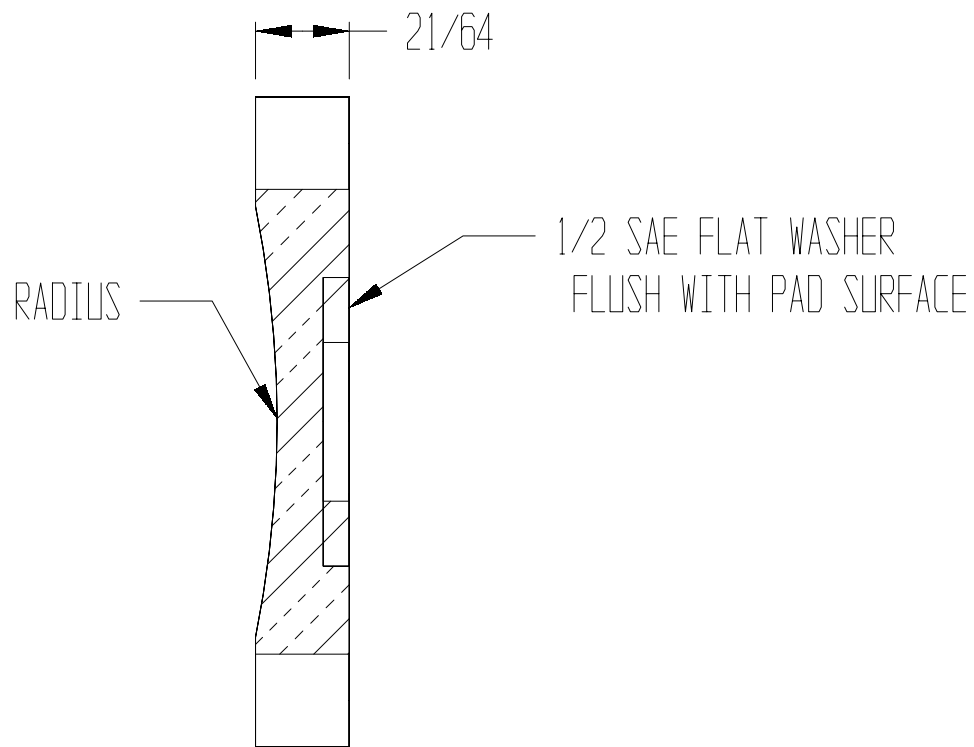
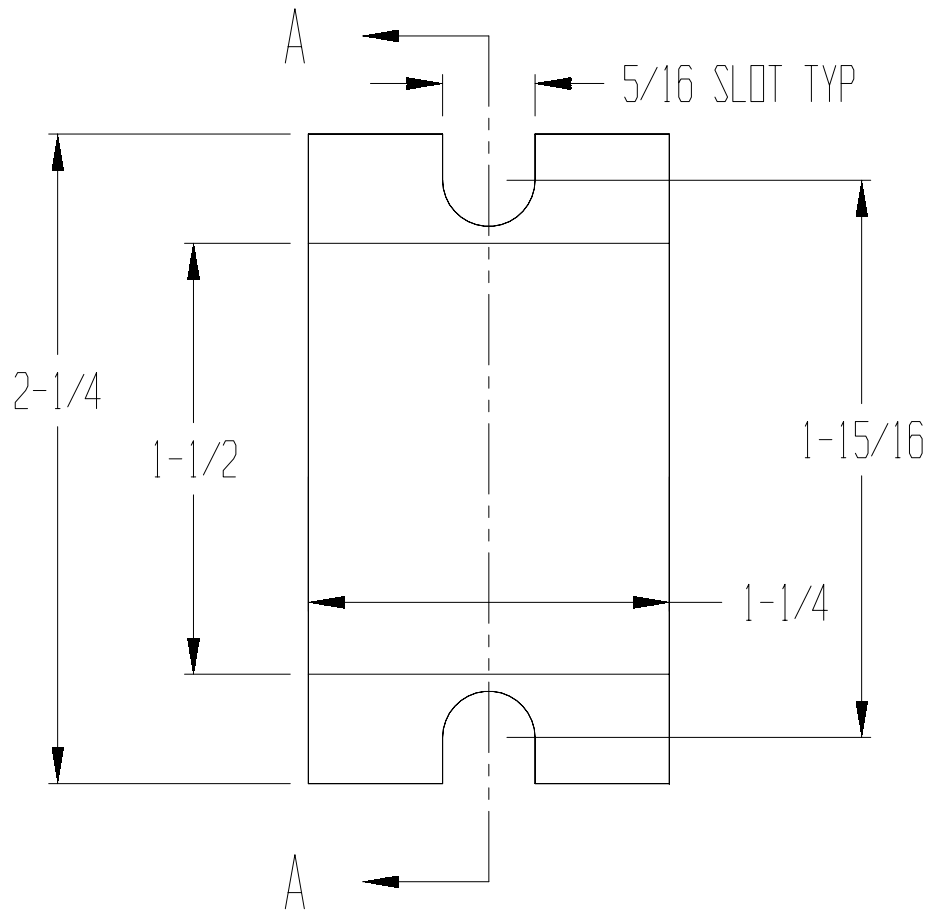
4

3

2

1

REVISIONS			
REV	DESCRIPTION	DATE	APPROVED



SECTION A-A



© SelectPart, Incorporated, 2003. All Rights Reserved.  
 Any use of this drawing or the information contained herein  
 for a purpose other than as expressly authorized by  
 SelectPart Inc. is expressly prohibited.

PART DESCRIPTION: SELECTPART FRICTION PAD MOTTER					
DRAWN BY: GEL	SIZE: C	PRT NO: MOTTER	DWG NO: MOTTER	REV: -	
CHECKED BY:					
DATE: 21 MAY 2003	SCALE: NONE	MATERIAL: VARIOUS	SHEET: 1 OF 1		

4

3

2

1