

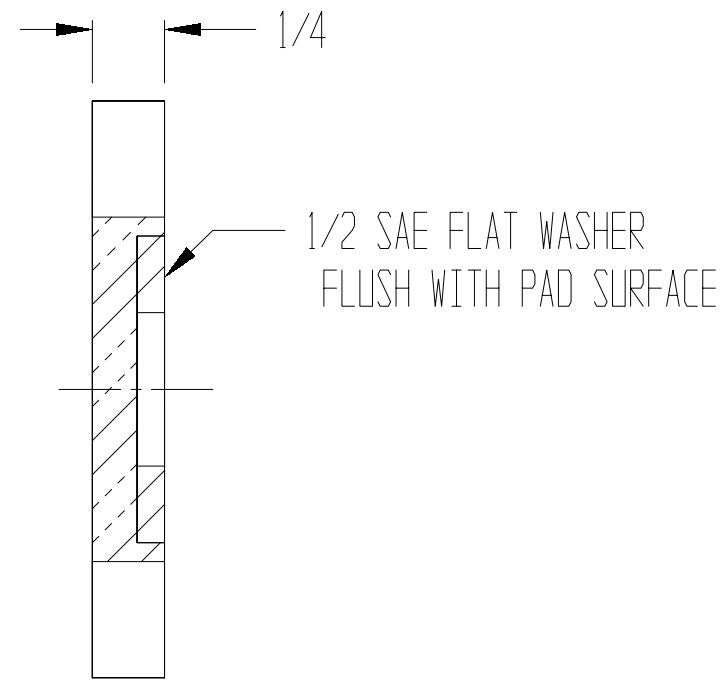
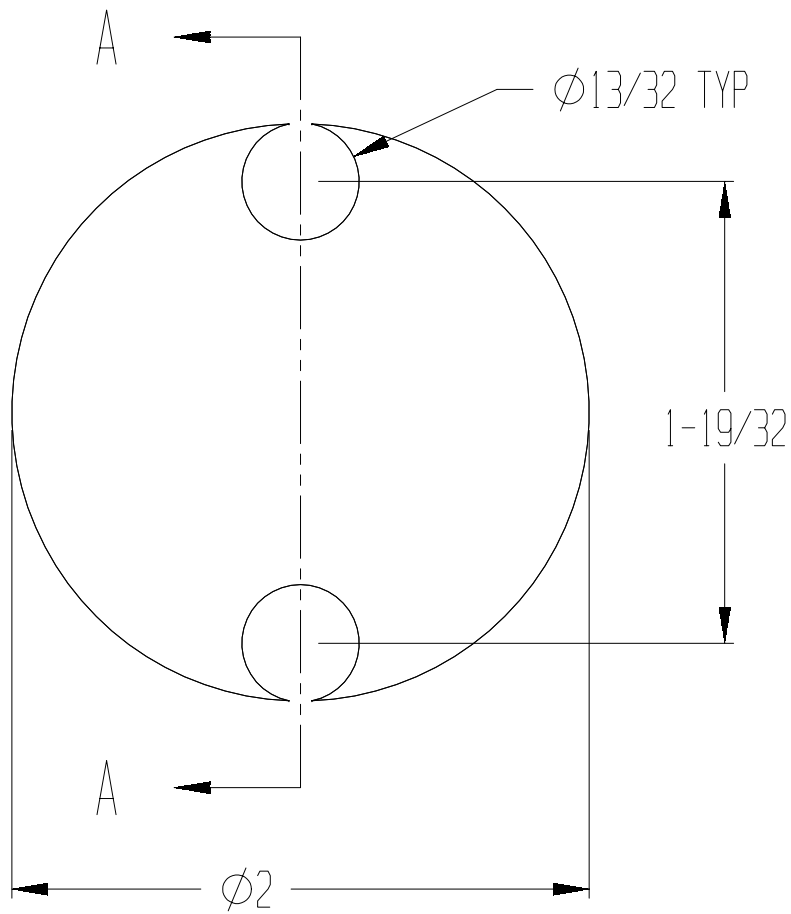
4

3

2

1

REVISIONS			
REV	DESCRIPTION	DATE	APPROVED



SECTION A-A



© SelectPart Incorporated, 2003. All Rights Reserved.
 Any use of this drawing or the information contained herein
 for a purpose other than as expressly authorized by
 SelectPart Inc. is expressly prohibited.

PART DESCRIPTION: SELECTPART FRICTION PAD 404-504					
DRAWN BY: GEL	SIZE: C	PRT NO: 404-504	DWG NO: 404-504	REV: -	
DATE: 21 MAY 2003	SCALE: NONE	MATERIAL: VARIOUS	SHEET: 1 OF 1		

4

3

2

1