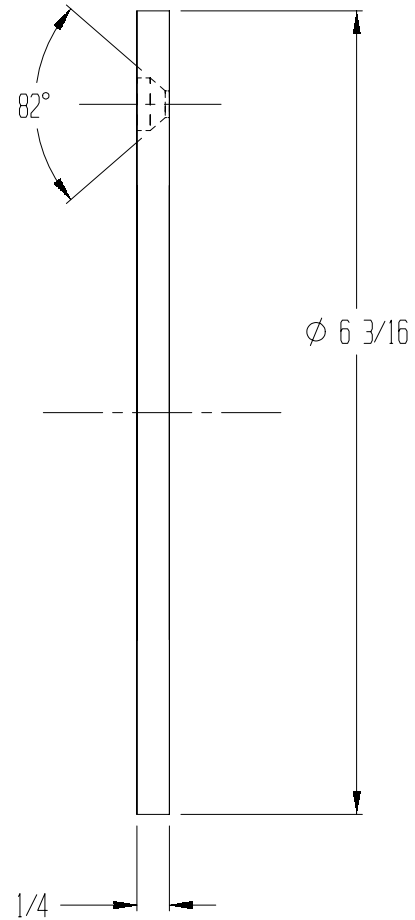


#5 DRILL (.206) THRU  
82 DEG C-SINK TO 13/32 DIA  
(6) REQ'D



REVISIONS			
REV	DESCRIPTION	DATE	APPROVED

© SelectPart Incorporated, 2003. All Rights Reserved.  
Any use of this drawing or the information contained herein  
for a purpose other than as expressly authorized by  
SelectPart Inc. is expressly prohibited.

*Selectpart*  
50 Hutcherson Drive Gorham, Maine 04038 USA/207.854.3874

PART DESCRIPTION: SELECTPART CLUTCH LINING 619			
DRAWN BY: GEL	SIZE: C	PRT NO: CL-PAD 619	DWG NO: CL-PAD 619
CHECKED BY:	SCALE: NONE	MATERIAL: VARIOUS	SHEET 1 OF 1
DATE: 21 MAY 2003			