

4

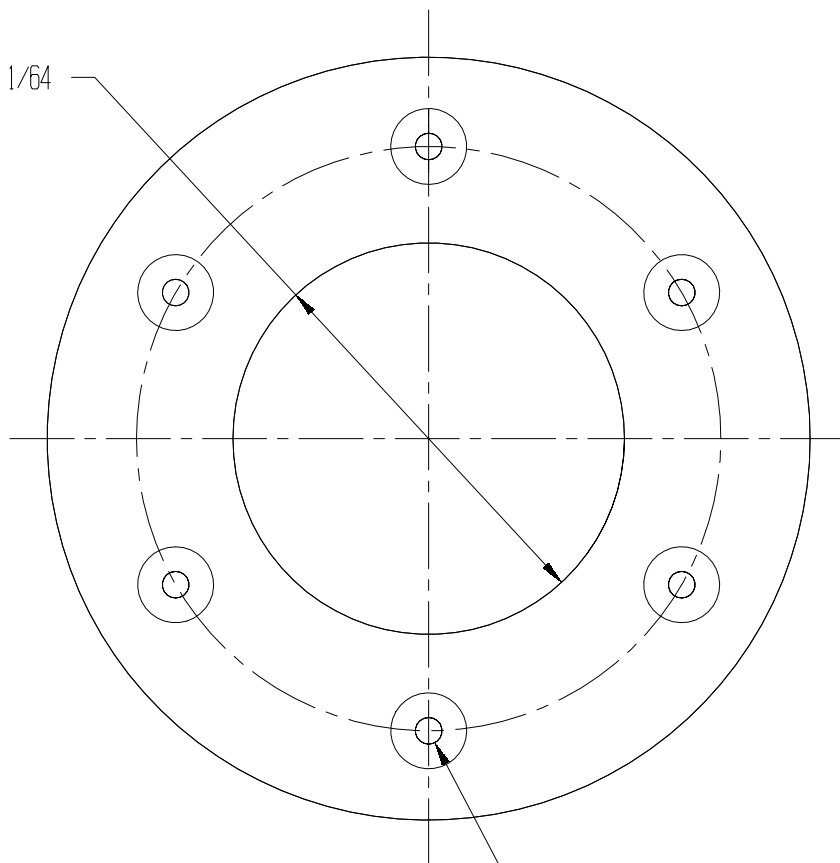
3

2

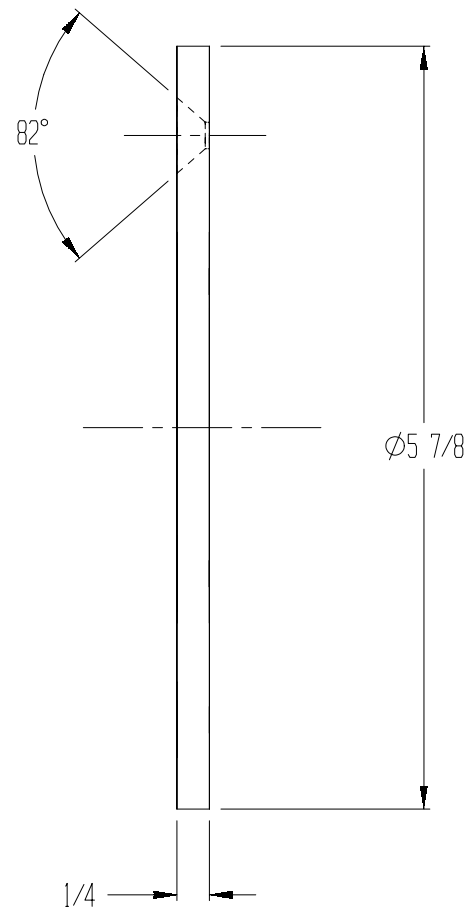
1

REVISIONS			
REV	DESCRIPTION	DATE	APPROVED

Ø 3 1/64



#5 DRILL (.206) THRU
 82 DEG C-SINK TO 19/32 DIA
 (6) REQ'D



Selectpart
 50 Hutcherson Drive / Gorham, Maine 04038 USA / 207.854.3874

© SelectPart Incorporated, 2003. All Rights Reserved.
 Any use of this drawing or the information contained herein
 for a purpose other than as expressly authorized by
 SelectPart Inc. is expressly prohibited.

PART DESCRIPTION: SELECTPART CLUTCH LINING 589			
DRAWN BY: GEL	SIZE: C	PRT NO: CL-PAD 589	DWG NO: CL-PAD 589
CHECKED BY:	SCALE: NONE	MATERIAL: VARIOUS	REV: -
DATE: 21 MAY 2003	SHEET: 1 OF 1		

4

3

2

1