

4

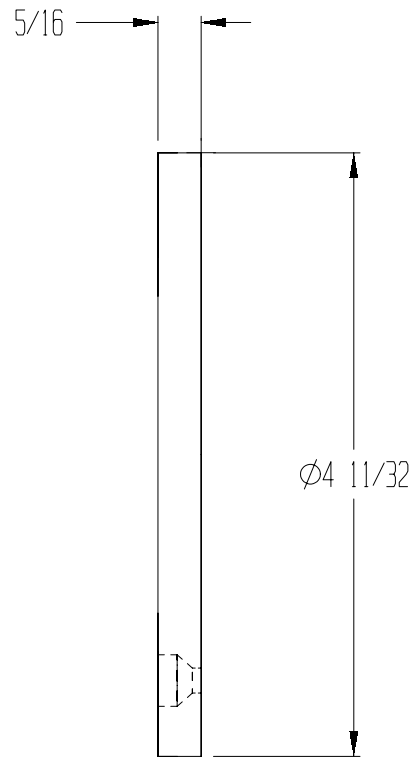
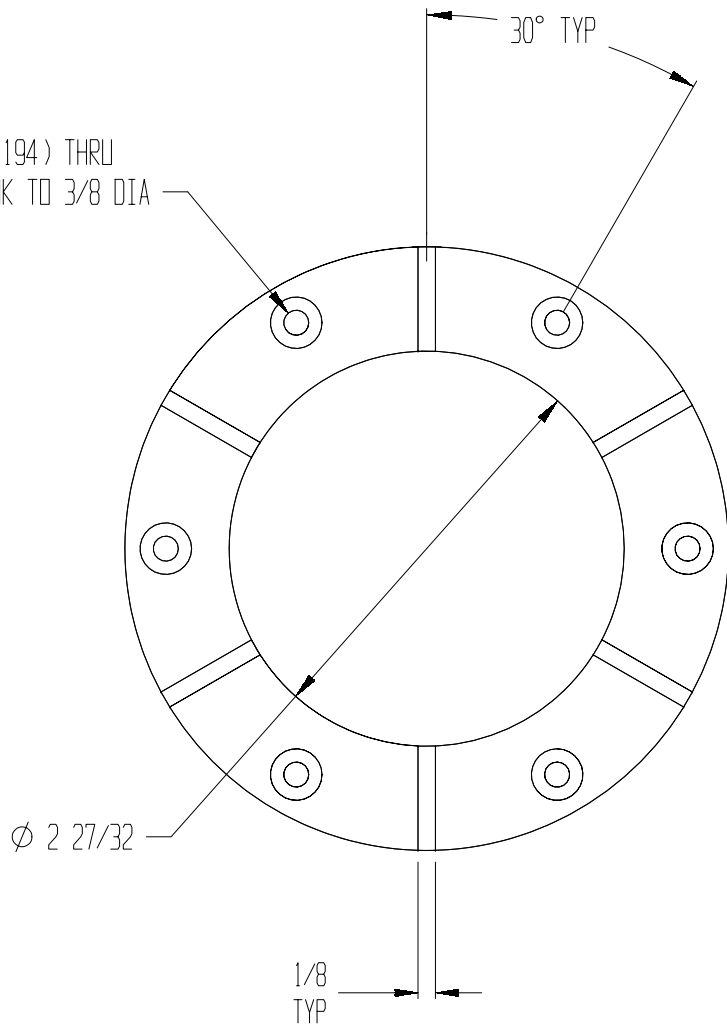
3

2

1

REVISIONS			
REV	DESCRIPTION	DATE	APPROVED

#10 DRILL (.194) THRU
 82 DEG C-SINK TO 3/8 DIA
 (6) REQ'D



© SelectPart Incorporated, 2003. All Rights Reserved.
 Any use of this drawing or the information contained herein
 for a purpose other than as expressly authorized by
 SelectPart Inc. is expressly prohibited.

PART DESCRIPTION: SELECTPART FRICTION PAD 434			
DRAWN BY: GEL	SIZE: C	PRT NO: M-PAD 434	DWG NO: M-PAD 434
CHECKED BY:	SCALE: NONE	MATERIAL: VARIOUS	REV: -
DATE: 21 MAY 2003	SHEET: 1 OF 1		

4

3

2

1