

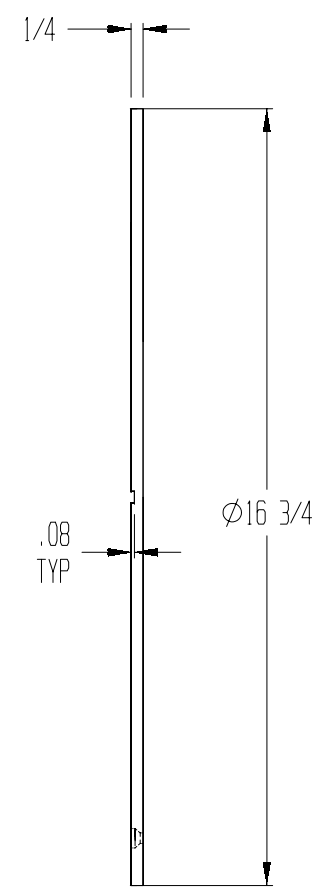
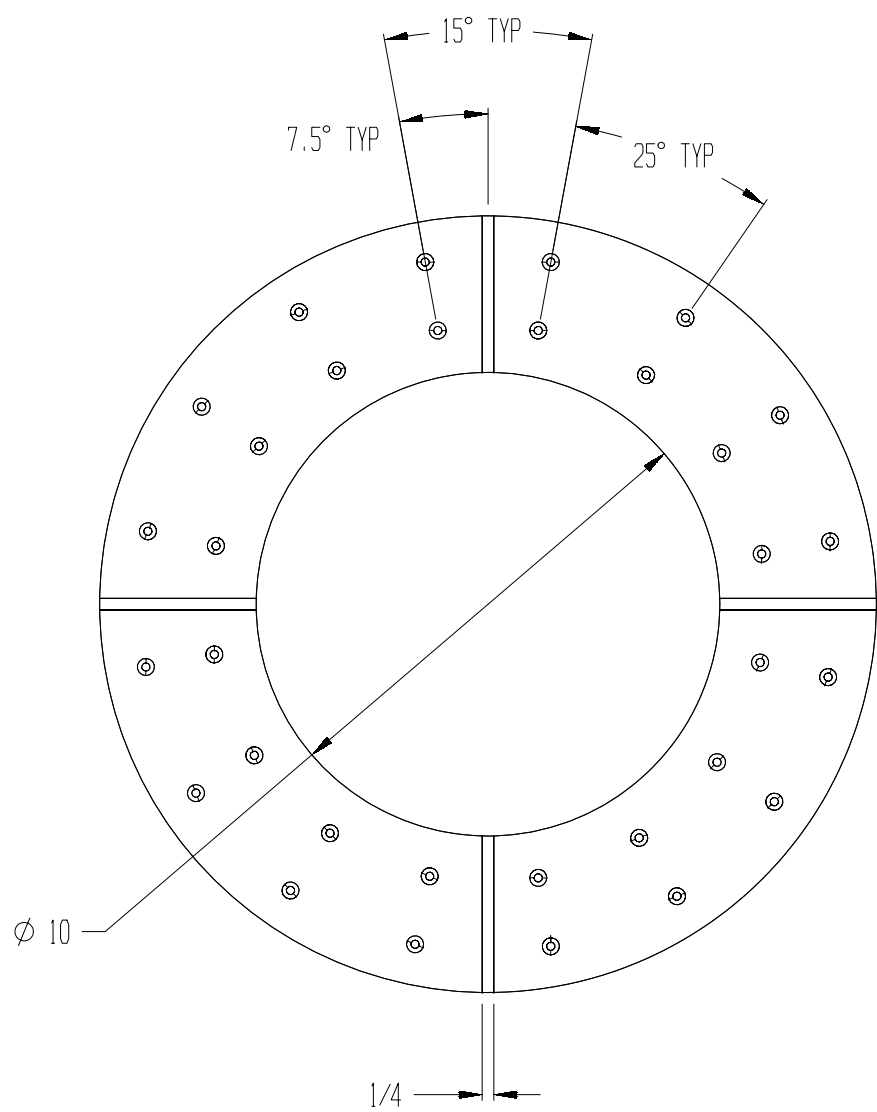
4

3

2

1

REVISIONS			
REV	DESCRIPTION	DATE	APPROVED



Selectpart
50 Hutcherson Drive / Gorham, Maine 04038 USA/207.854.3874

© SelectPart Incorporated, 2003. All Rights Reserved.
Any use of this drawing or the information contained herein for a purpose other than as expressly authorized by SelectPart Inc. is expressly prohibited.

PART DESCRIPTION: SELECTPART FRICTION PAD 1675					
DRAWN BY: GEL	SIZE: C	PRT NO: F-PAD 1675	ENG NO: F-PAD 1675	REV: -	
DATE: 21 MAY 2003	SCALE: NONE	MATERIAL: VARIOUS	SHEET: 1 OF 1		

4

3

2

1